



CSG 610 SLR.



Half-ridged, half smooth steel gas grill.

- 15 mm-half-ridged, half-smooth steel grill.
 - Cooking surface: 567 x 495 mm (28 dm²).
 - Collection channel for juices with drainage outlet at the front of the grill.
 - Removable oil trap, capacity: 1.5 L.
 - Welded 30/10 stainless steel splash-guard, perfectly watertight.
 - Total gas power: 8.5 kW.
 - 2 heating zones – 2 independent burners.
 - Gas valve with nominal and reduced flow.
 - Thermocouple safety.
 - Electric ignition via push-button.
- Electric supply: 230 V.

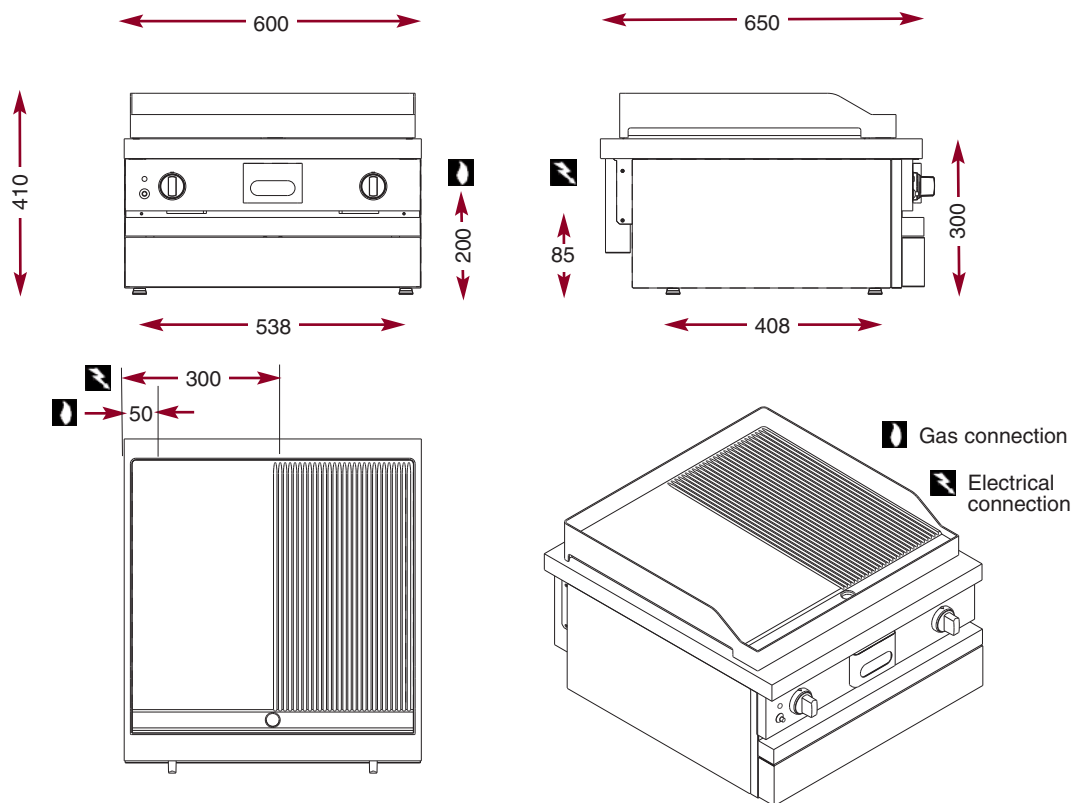
CSG 610 SLR

W 600 - D 650 - H 300



Oil trap.

Module - Half-ridged, half smooth steel gas grill CSG 610 SLR



The modules have the same features and performances as the cupboard units. They are designed to be fixed onto tubular steel supports but can also be installed on stainless steel or tiled worktops.

Tubular stainless steel supports for the modules. (All the supports are made of Ø 60mm stainless steel tubes and are fitted with a stainless steel shelf and height adjustable feet).

Ref.	Dimensions
SSK 400	W 400 - D 540 - H 600
SSK 600	W 600 - D 540 - H 600
SSK 700	W 700 - D 540 - H 600
SSK 800	W 800 - D 540 - H 600
SSK 1000	W 1000 - D 540 - H 600
SSK 1100	W 1100 - D 540 - H 600
SSK 1200	W 1200 - D 540 - H 600
SSK 1300	W 1300 - D 540 - H 600
SSK 1400	W 1400 - D 540 - H 600
SSK 1500	W 1500 - D 540 - H 600
SSK 1600	W 1600 - D 540 - H 600



AMBASSADE
DE BOURGOGNE